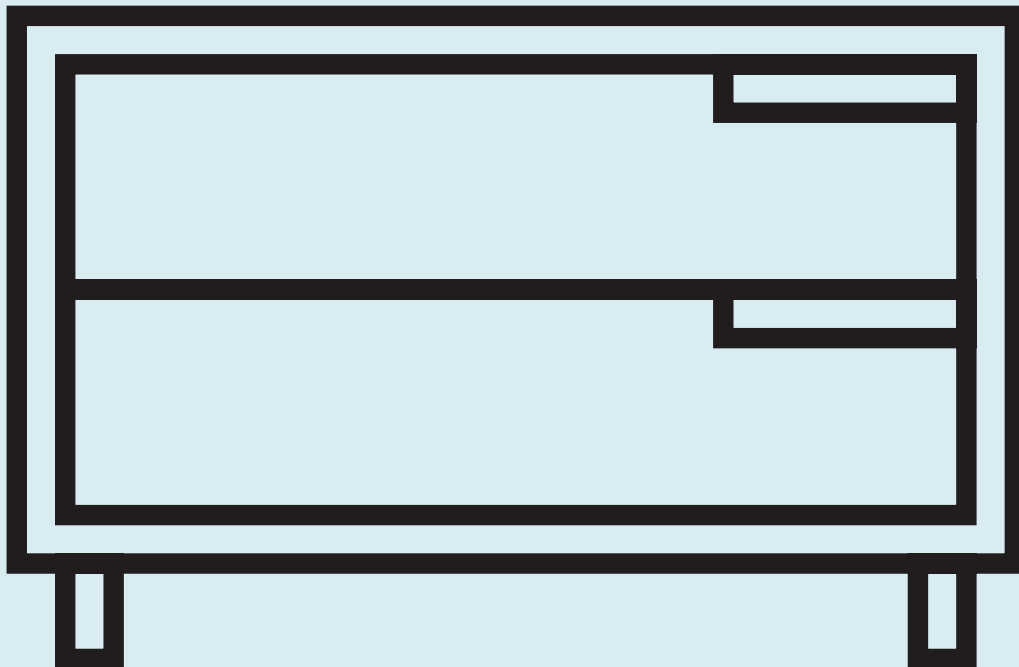
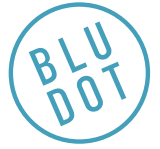


# Modu-licious #1

DESIGNED IN 1999

ASSEMBLY NOTES | REV 00



KEEP THE STUFF YOU LIKE AND STORE IT WELL.

Drawers and doors are your canvas with the award-winning Modu-licious series.

NEED A HAND?

Contact us at [service@bludot.com](mailto:service@bludot.com) or **844.425.8368** for assistance.

# Parts & Hardware



QTY 18

Pt. 5001



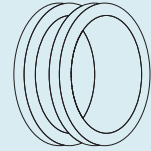
QTY 8

Pt. 1023



QTY 4

Pt. 4005



QTY 2

Pt. 8018



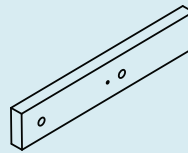
QTY 18

Pt. 5002



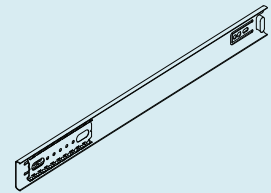
QTY 16

Pt. 5005



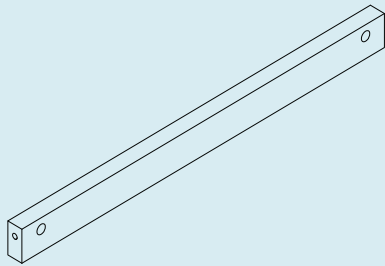
QTY 2

foot



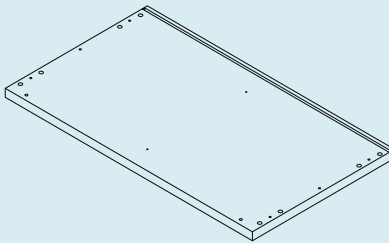
QTY 4

Drawer Slide



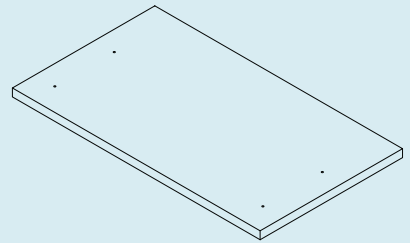
QTY 1

Stretcher



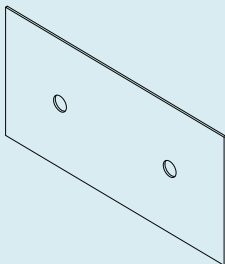
QTY 1

Top Panel



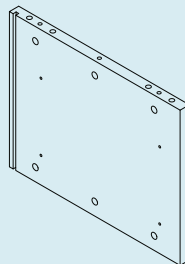
QTY 1

Bottom Panel



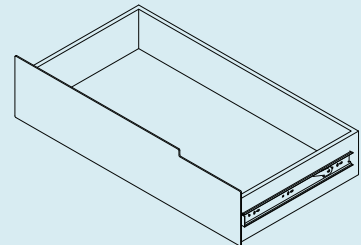
QTY 1

Back Panel



QTY 2

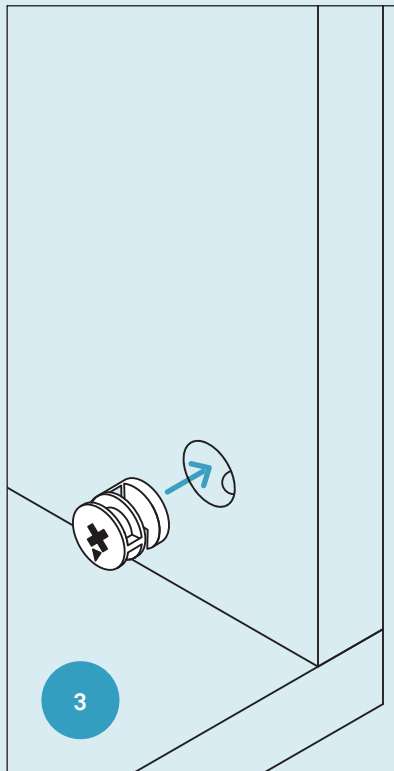
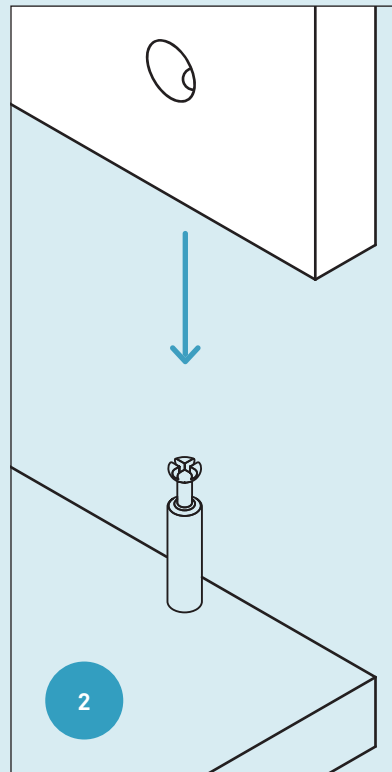
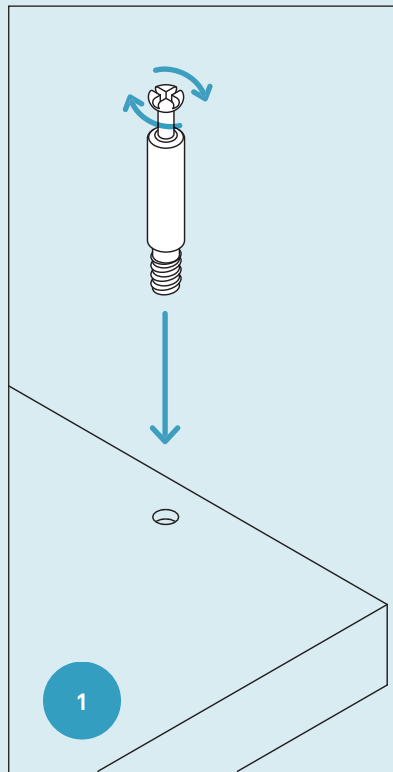
Side Panel



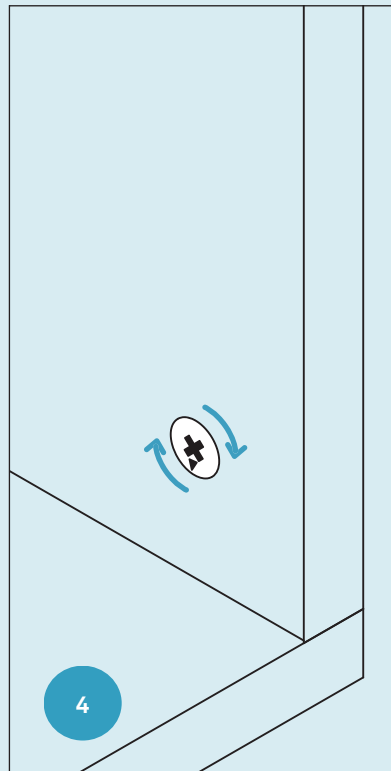
QTY 2

Drawer

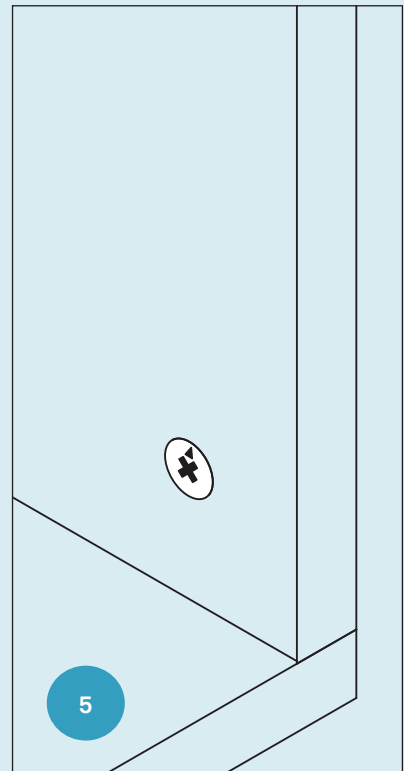
# How to use the cam lock system



Note direction of cam arrow.



Turn cam clockwise 1/2 turn or until tight.

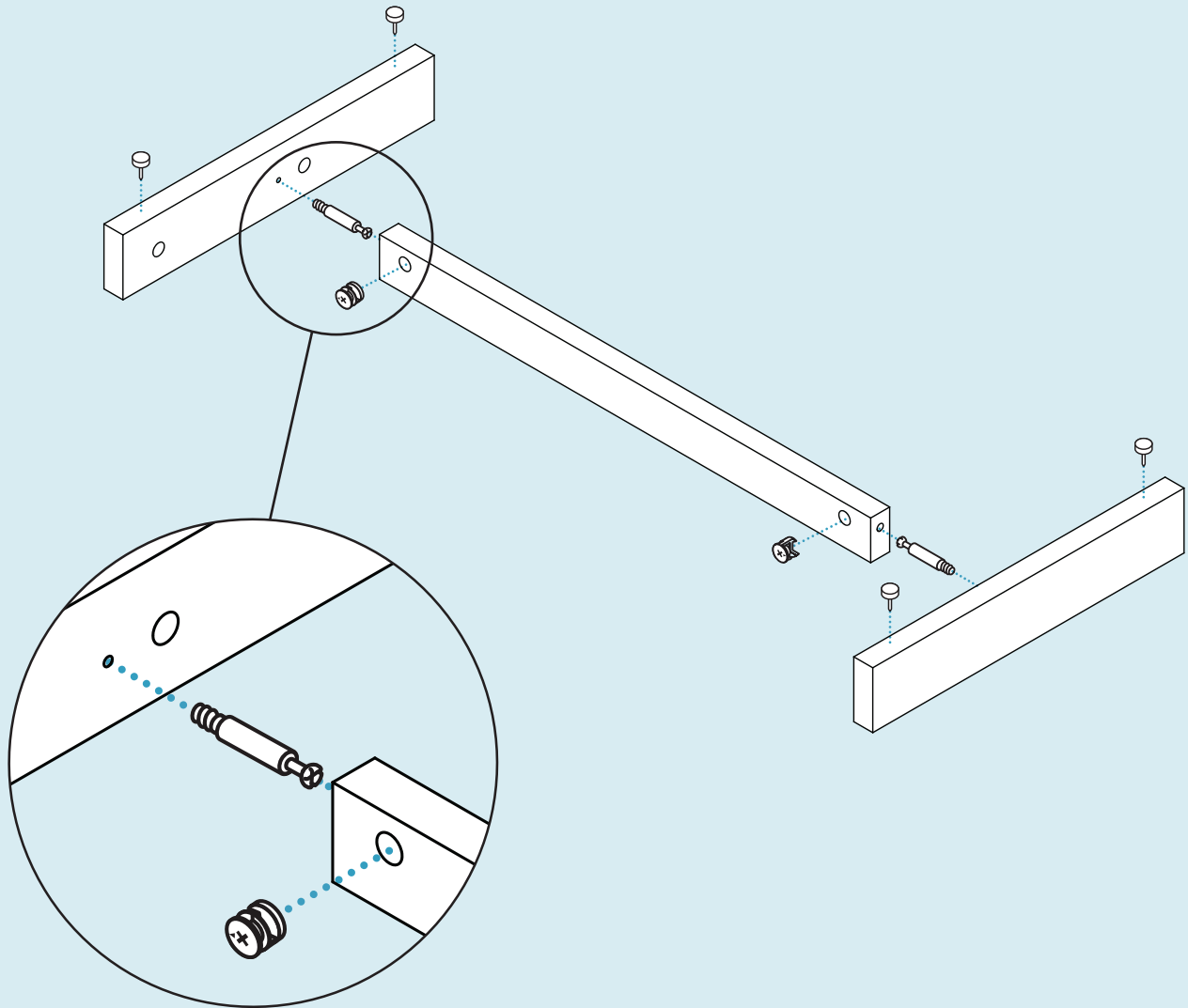


Note direction of cam arrow.

# Step 01

## ASSEMBLE BASE.

Using the stretcher and feet assemble the base as shown. Refer to page 2 on how to use the cam lock system.



PT. 5001 x 2



PT. 5002 x 2

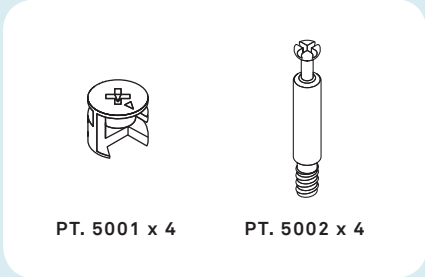
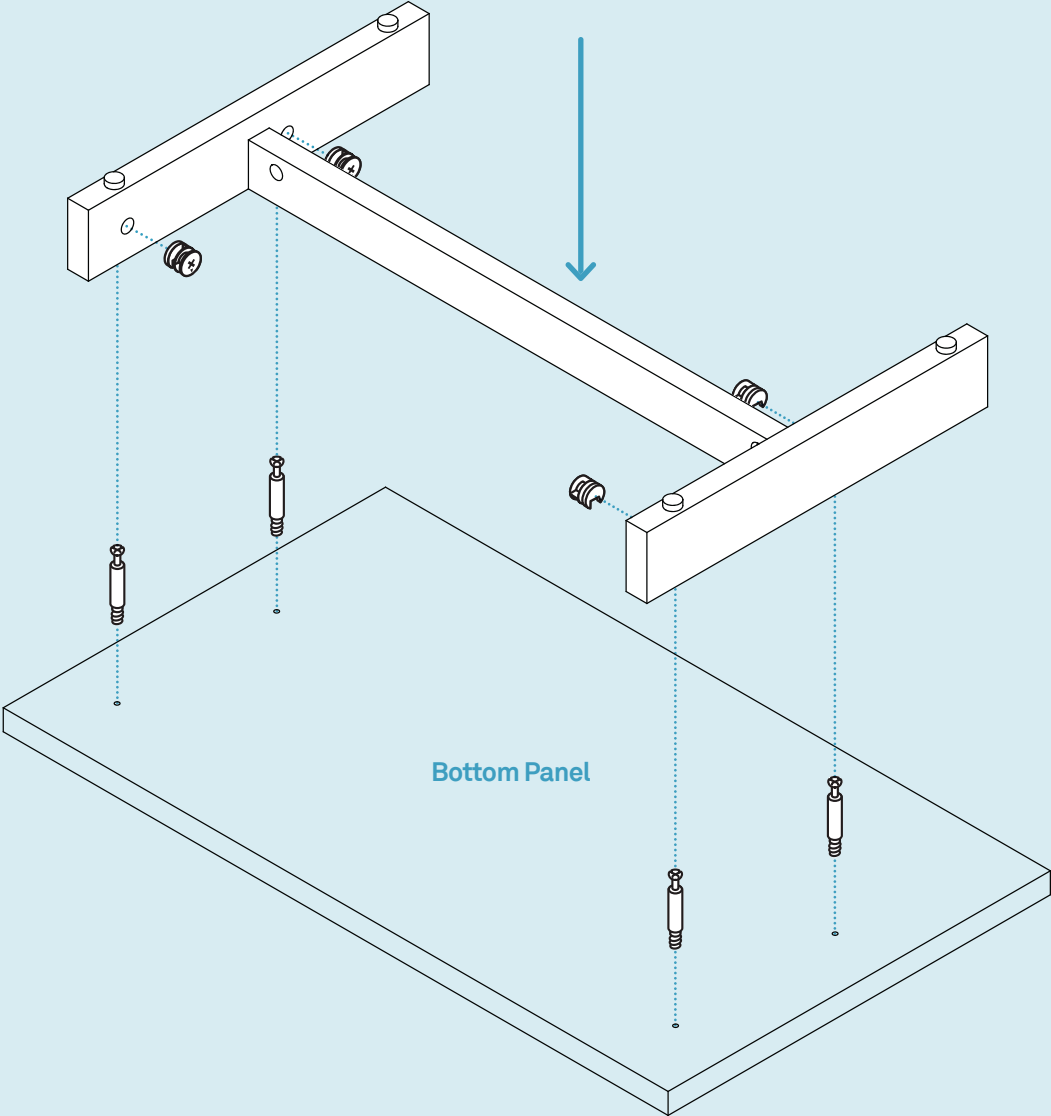


PT. 4005 x 4

# Step 02

## ATTACH BOTTOM PANEL.

Attach the bottom panel to the base using the provided hardware as shown. Refer to page 2 on how to use the cam lock system.

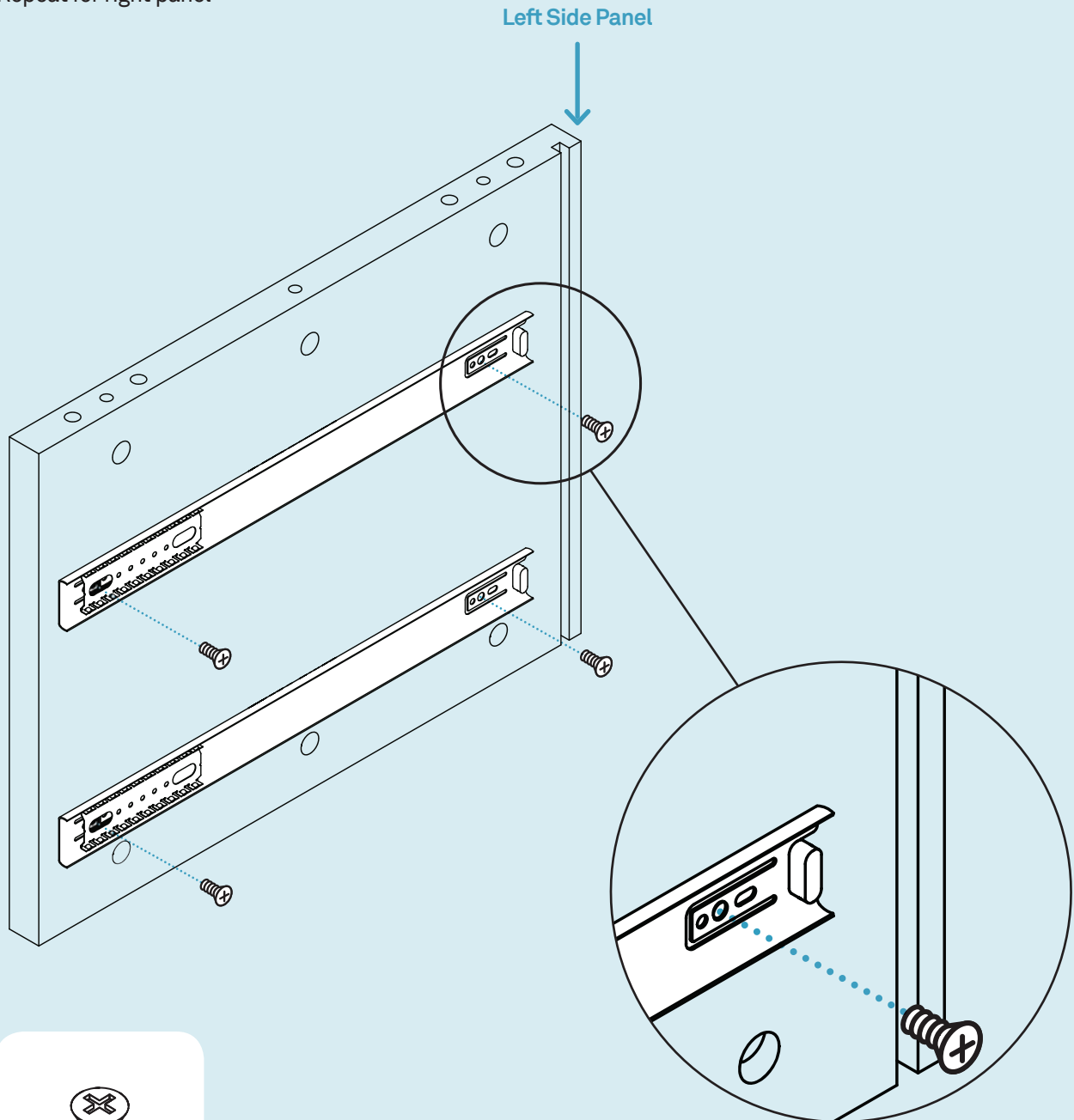


# Step 03

## ATTACH DRAWER SLIDES.

Attach drawer slides to side panel as shown using provided hardware.

Repeat for right panel

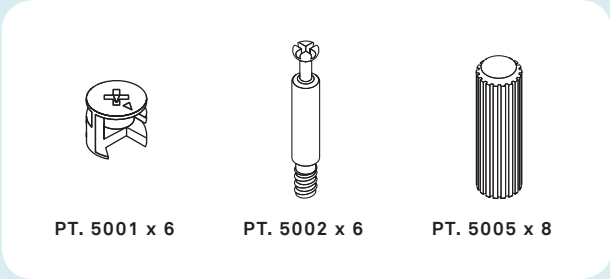
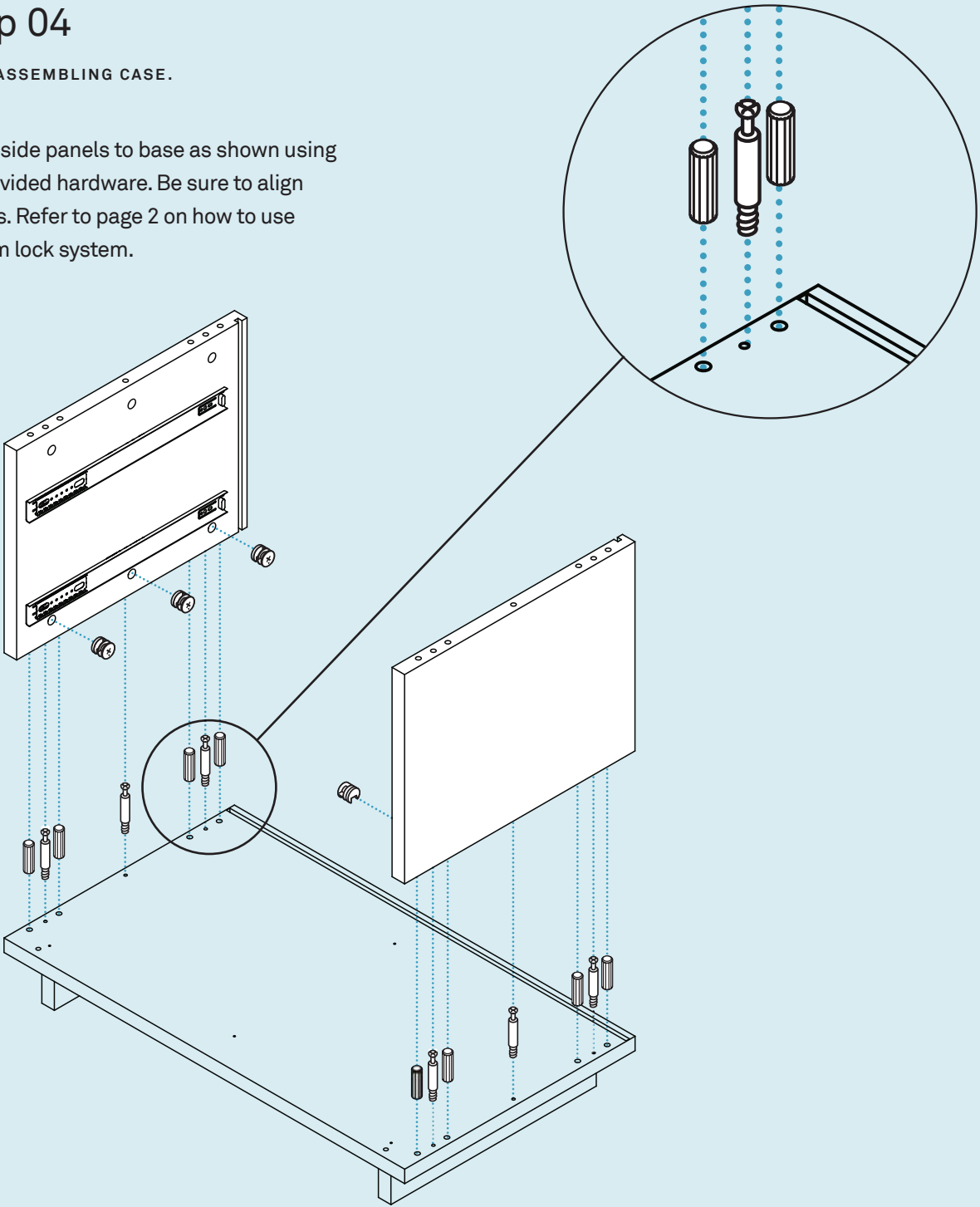


PT. 1023 X 8

# Step 04

BEGIN ASSEMBLING CASE.

Attach side panels to base as shown using the provided hardware. Be sure to align grooves. Refer to page 2 on how to use the cam lock system.

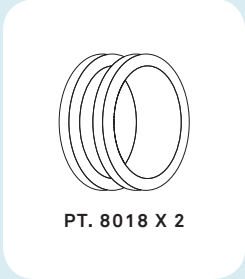
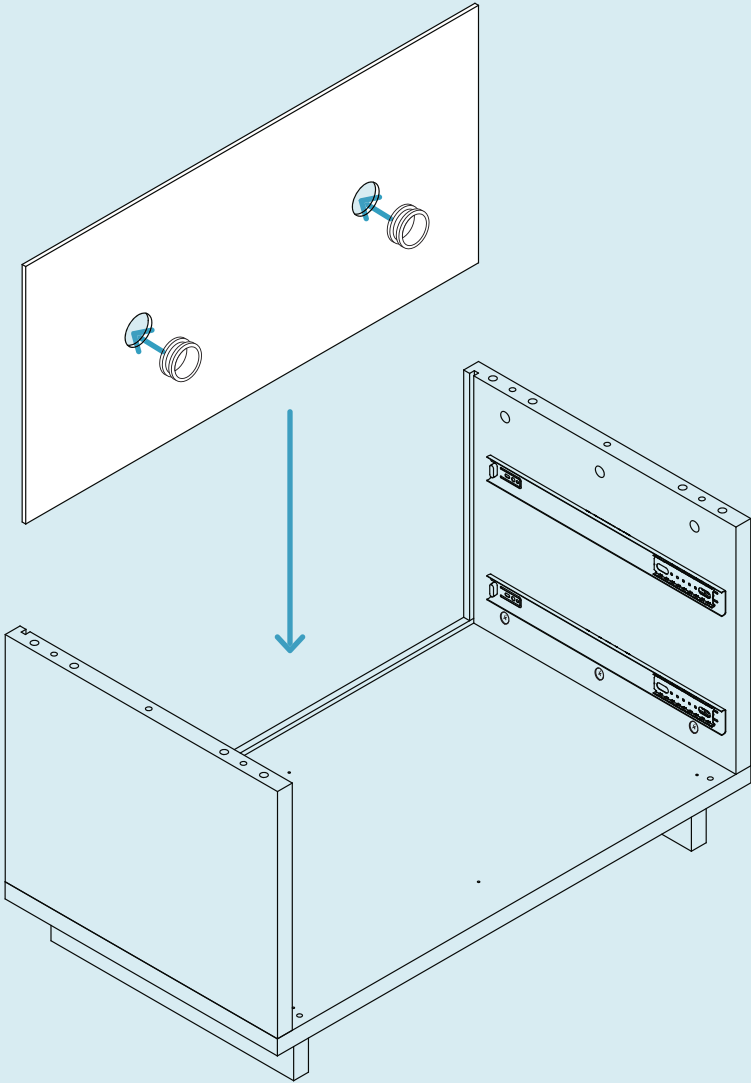


PT. 5001 x 6      PT. 5002 x 6      PT. 5005 x 8

# Step 05

## INSERT BACK PANELS.

Add rubber grommets to panel as shown.  
Insert back panels into grooves in case.

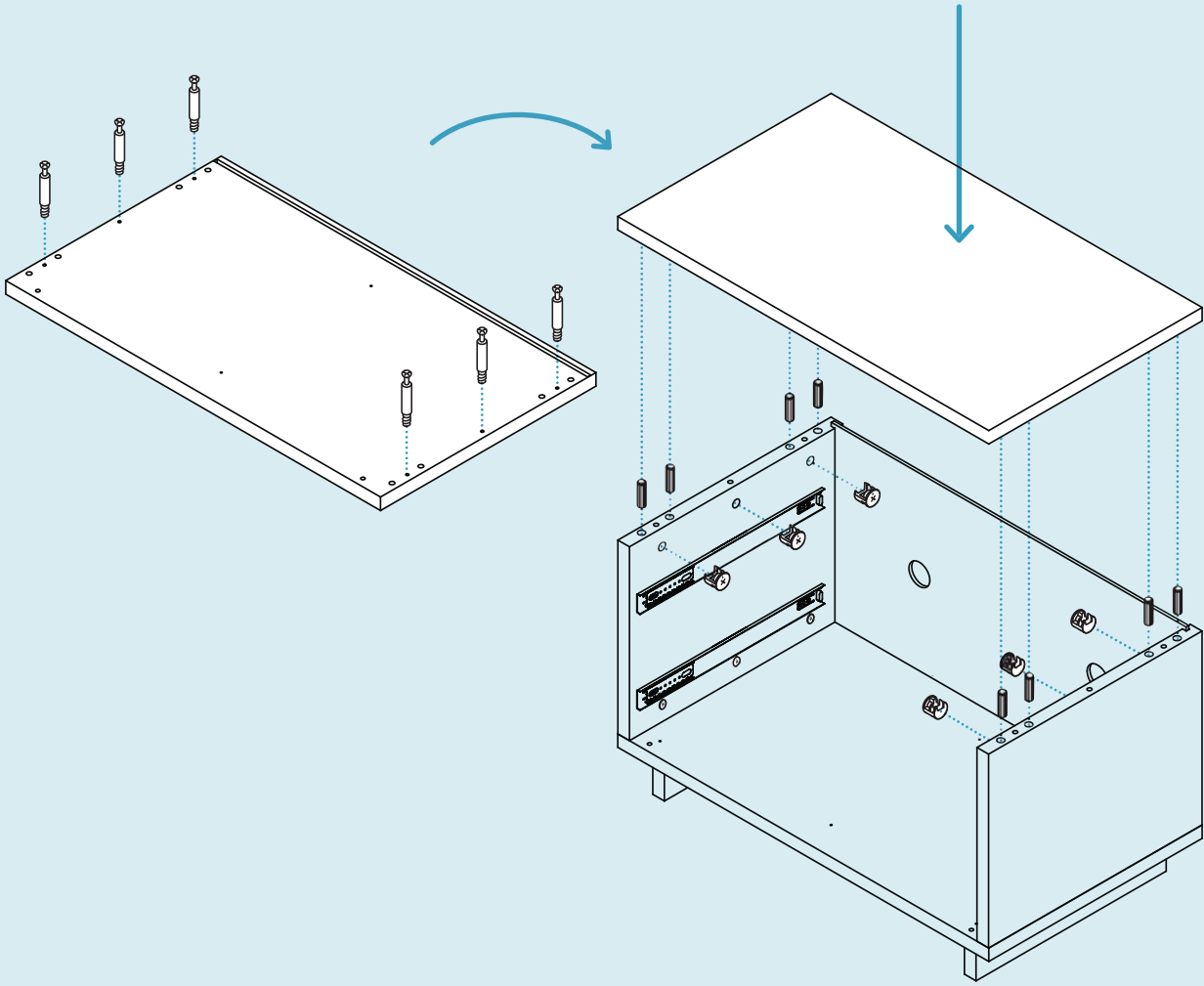




# Step 06

## ATTACH THE TOP.

Attach top panel as shown using the provided hardware. Refer to page 2 on how to use cam lock system.

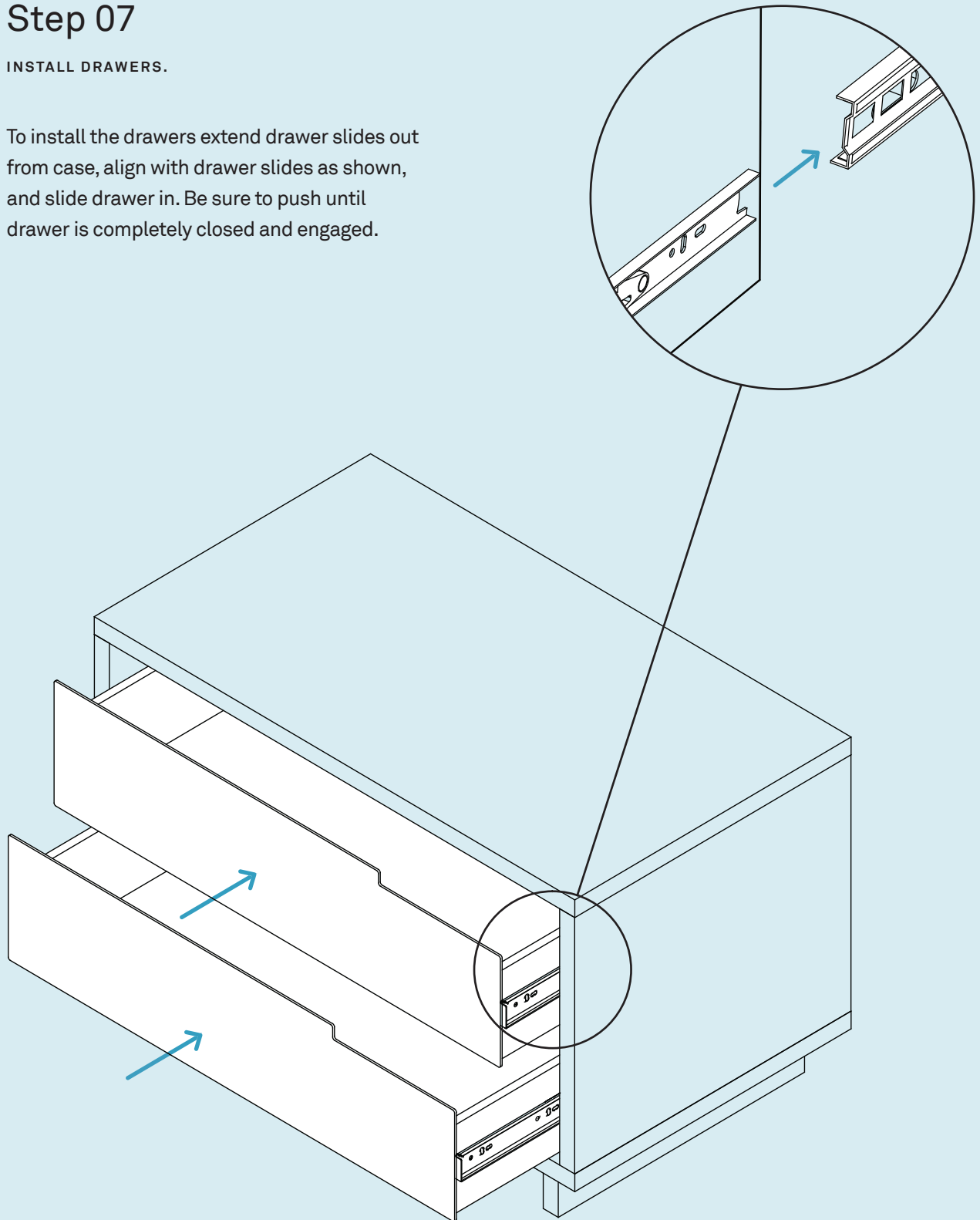


PT. 5001 x 6      PT. 5002 x 6      PT. 5005 x 8

## Step 07

### INSTALL DRAWERS.

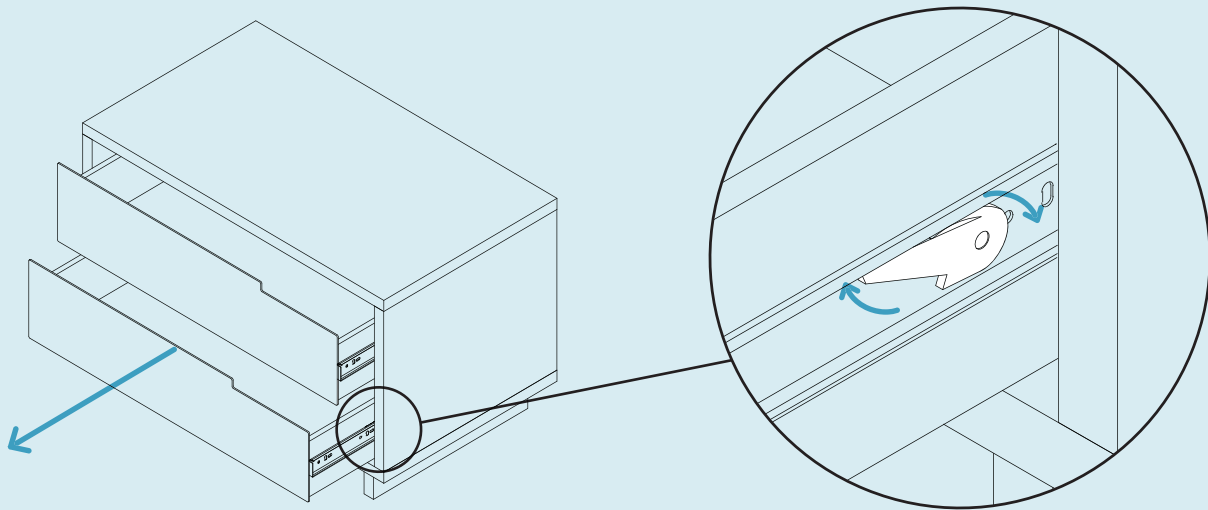
To install the drawers extend drawer slides out from case, align with drawer slides as shown, and slide drawer in. Be sure to push until drawer is completely closed and engaged.



# Additional Information

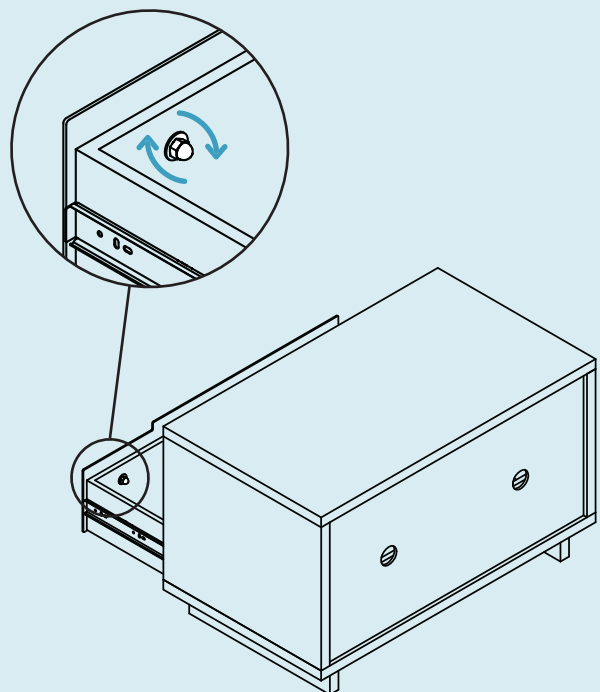
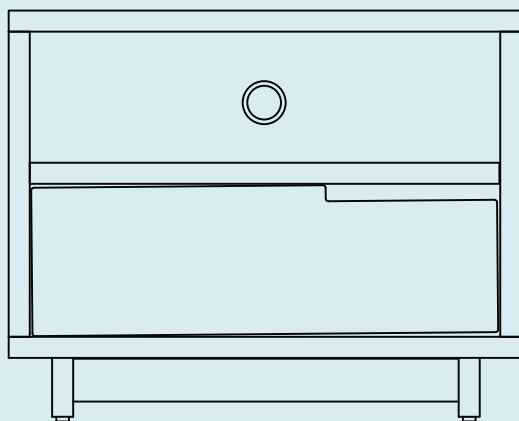
## TO REMOVE DRAWERS

Pull lever up on the right side and push down on the left side of the drawer slide. With levers engaged pull drawer out.



## TO ADJUST DRAWER FRONTS

Loosen the acorn nuts, adjust drawer front, re-tighten acorn nuts.



## CLEAN

Clean with a slightly damp, soft cloth. To remove dirt and fingerprints, use a quality cleaner formulate for wood furniture. Wipe completely dry with a soft cloth in the direction of the wood grain.

